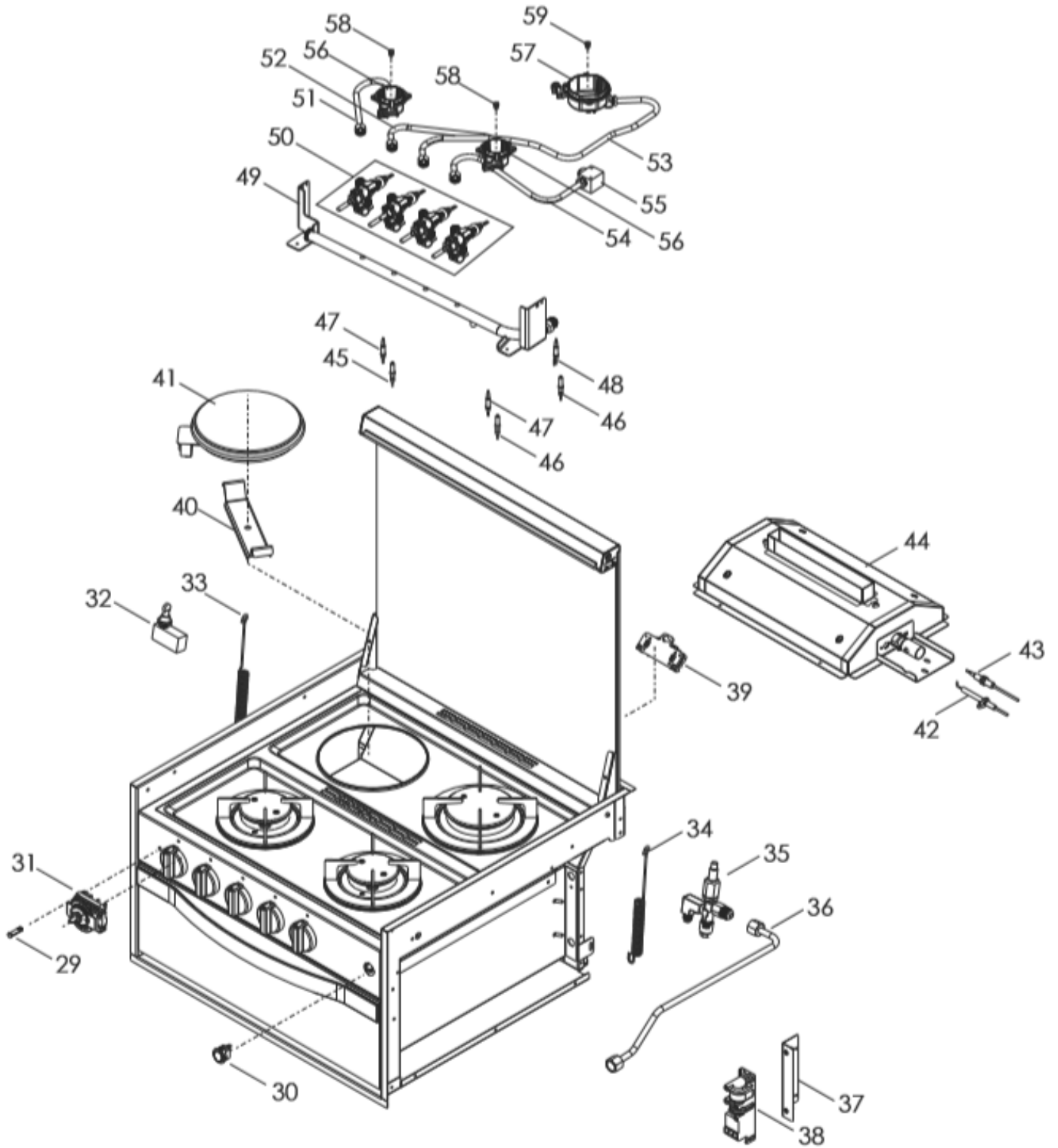


Product Name: MC102

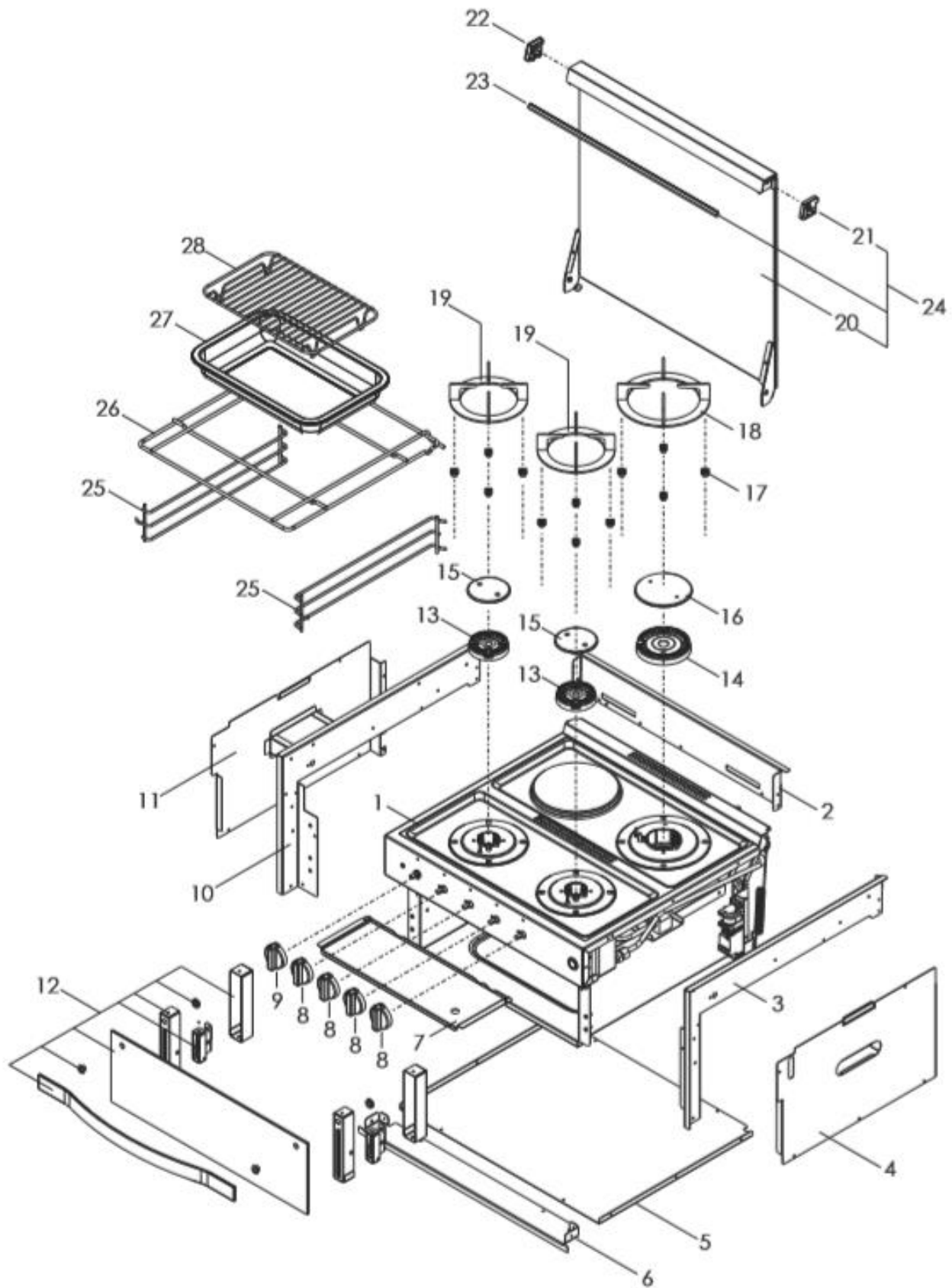
Item Code: MC102
SKU: 9600006383
Production: 18/4/49
Release Date:



Product Name: MC102



Item Code: MC102
SKU: 9600006383
Production: 18/4/49
Release Date:



Product Name: MC102



Item Code: MC102
SKU: 9600006383
Production: 18/4/49
Release Date:

	Item No	Description
1		
2		
3		
4		
5		
6		
7		
8	DAP018-09-01	KNOB GAS BURNER MC101/102
9	DAP018-09-02	KNOB ELEC PLATE MC101/102
10		
11		
12	DAP018-05	DOOR GRILL MC101/102
13	DAP018-02-40	CROWN LH/RH BURNER MC101/102
14	DAP018-02-37	CROWN REAR BURNER MC101/102
15	DAP018-02-39	CAP LH/RH BURNER MC101/102
16	DAP018-02-36	CAP REAR BURNER MC101/102
17	DAP018-02-31	GROMMET PAN SUPPORT (1)
18	DAP018-07	SUPPORT PAN REAR MC101/102
19	DAP018-08	SUPPORT PAN LH/RH MC101/102
20		
21		
22		
23		
24	DAP018-01	LID GLASS MC101/102
25		
26	DAP018-12	SHELF GRILL MC101/102
27	DAP018-43	TRAY GRILL MC101/102
28	DAP018-14	GRILL TRAY MC101/102
29	DAP018-02-25	LIGHT INDICATOR ELEC MC101/102
30	DAP018-02-23	SWITCH IGNITOR MC101/102
31	DAP018-02-24	CONTROL ELEC PLATE MC101/102
32	DAP018-38	SWITCH SAFETY ELEC MC101/102
33		
34		
35	DAP018-37	VALVE SAFETY MC101/102
36		
37		
38	DAP018G-30	IGNITOR MC102
39		
40		
41	DAP018-02-11	ELEMENT MC101/102
42	DAP018-03-07	PLUG SPARK GRILL MC101/102
43	DAP018-03-06	THERMOCOUPLE GRILL MC101/102
44	DAP018-03	BURNER GRILL MC101/102
45	DAP018-02-30	PLUG SPARK LH BURNER MC101/102

*** Items not listed are only available by special order**

Product Name: MC102

Item Code: MC102
SKU: 9600006383
Production: 18/4/49
Release Date:



	Item No	Description
46	DAP018-02-46	PLUG SPARK RH BURNER MC101/102
47	DAP018-02-13	THERMOCOUPLE LH/RH MC101/102
48	DAP018-02-14	THERMOCOUPLE REAR MC101/102
49		
50	DAP018-02-10-03	VALVE HOB BURNERGRIL MC101/102
51		
52		
53		
54		
55		
56		
57		
58	DAP018-02-15	JET GAS LH/RH BURNER MC101/102
59	DAP018-02-16	JET GAS REAR BURNER MC101/102

*** Items not listed are only available by special order**