

# DOMETIC VENTILATION SYSTEMS

Dometic RV ventilation systems have been designed specifically to provide optimum ventilation and therefore significantly better cooling performance for all Dometic absorption refrigerators.

## TECHNICAL DATA

### AS1625 VENT KIT



Upper vent set consists of:

Upper frame Ref No: RS1640U  
 Upper vent Ref No: AS1625U  
 Upper vent insert Ref No: AS1625i  
 Alum flue tube Ref No: Alumtube

Lower vent set consists of:

Lower frame Ref No: RS1650L  
 Lower vent Ref No: AS1635L

Mounting frame cut out size:

W451 x H156 mm

Open area of upper vent: 328 cm<sup>2</sup>

Open area of lower vent: 350 cm<sup>2</sup>

### MOTORHOME WALL VENT:



Overall:

W587 x H385 mm

Cut out required:

W550 x H350 mm

Clear opening with vent removed:

W556 x H303 mm

Open ventilation area: 450 Cm<sup>2</sup>

Ref No: 3109350.110

### LS300 VENT AND FRAME



Cut out required:

W490 x H249 mm

Open ventilation

area: 667 cm<sup>2</sup>

### GAS FLUE TEE PIECE CONNECTION.



Kit includes one extension. Ref No: TP

### MOTORHOME VENT ROOF CAP



Ref No: 3311246.000

W310 x L670 x H100 mm

Combined with Motorhome vent roof base:

Ref No: 3311237.000

W210 x L660 x H95 mm

Assembled over all dimensions:

W310 x L670 x H125 mm

Open ventilation area: 730 cm<sup>2</sup>

### NOTE:

These ventilation options are intended to compliment the original installation and operating instructions supplied with each Dometic refrigerator and are the preferred ventilation systems for all Dometic absorption refrigerators.

### GAS FLUE EXTENSION



Each extension add 43 mm to the height of the Tee piece.  
 Ref No: TXP

### GAS FLUE KIT:

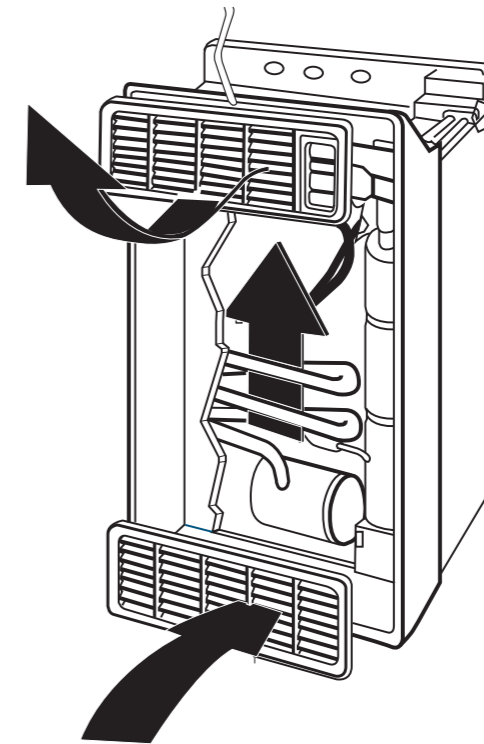


Ref No: 3776



## OPTIMAL INSTALLATION OF DOMETIC

3 WAY ABSORPTION REFRIGERATORS IN CARAVANS, MOTORHOMES AND CAMPERS.



## MY COMFORT

Dometic absorption refrigerators for caravans, motorhomes and campers are built to provide excellent cooling performance, even in high ambient temperatures.

Difficulties with the performance of the refrigerator can be avoided by installing it correctly and/or by improving both the installation and ventilation of an existing installation.

Correct installation is very important.

1. The installation and connections of gas supply must be made by an authorised gas fitter in compliance with the Australian Gas Authority regulations.
2. The location of the refrigerator should be such that the ventilation vents are not blocked by the vehicle door when open.
3. The refrigerator should be installed on a hard flat level surface.
4. The recess for the refrigerator should be sealed from the living area of the vehicle. No gas leak or exhaust gases can penetrate into the living area.
5. The space between the refrigerator cabinet and the furniture should be kept to a minimum. This is to exclude the warm air given off by the cooling unit from blanketing the cabinet. If possible fill any void with glass insulation wool down both sides and on top of the refrigerator cabinet.

Current AS/NZS 5601.2:2010 and future amendments to the gas installation regulations must be adhered to at all times. Warranty claims due to incorrectly ventilated, installed or flued refrigerators are not covered by the usual Dometic two year Australia wide warranty. All details are subject to alteration without notice.

### AUSTRALIA

Dometic Australia, Queensland 1  
 1 John Duncan Court  
 Varsity Lakes QLD 4227  
 Phone: +61 (0)7 5507 6000  
 Fax: +61 (0)7 5507 6001  
 sales@dometic.com.au  
 dometic.com

Dometic Australia, Queensland 2  
 2/129 South Pine Road  
 Brendale QLD 4500  
 Phone: +61 (0)7 3205 7599  
 Fax: +61 (0)7 3881 1409  
 E-mail: sales@dometic.com.au  
 dometic.com

Dometic Australia, Victoria  
 Bldg 3B, Clayton Business Park  
 1508 Centre Road, Clayton VIC 3168  
 Phone: +61 (0)3 9239 1000  
 Fax: +61 (0)3 9239 1099  
 E-mail: sales@dometic.com.au  
 dometic.com

Dometic Australia, Western Australia  
 12 Prosperity Avenue  
 Wangara WA 6065  
 Phone: +61 (0)8 9303 3555  
 Fax: +61 (0)8 9303 3577  
 E-mail: sales@dometic.com.au  
 dometic.com

Proper installation is very important. Continued

6. Regardless of which option of ventilation method is used, the following points must be followed:
  - a. The bottom of the lower vent must be at floor level where the refrigerator cabinet is mounted on (the floor). If the lower vent is above the floor level, a 40 mm hole must be made through the floor to provide an escape for any possible gas leak.
  - b. The top vent must be mounted above the refrigerator cooling unit. The rule is the bottom of the top vent must be at the very least equal to or above the top of the refrigerator. This is to ensure all of the air moving up through the vents will pass through the complete cooling unit.

Note: There are installations where it may not be possible to position the top vent completely above the top of the cabinet. This can be due to vehicle design restrictions. The refrigerator will still work, however for the best performance, particularly in high ambient conditions, the top vent should be above the cabinet.

7. A suitable metal warm air deflector plate should be fitted to direct the rising warm air from the cooling unit to the outside via the top vent. This deflecting plate should be as wide as possible and be fitted in such a way that it does not interfere with the wiring on top of the refrigerator cabinet.

## DOMETIC 3 WAY REFRIGERATOR VENTING OPTIONS.

Suitable for Motorhomes, Caravans and Campers.

### OPTION ONE

Common ventilation system up to 100 litres.

Ventilation components required are:  
 1 x AS1625 vent kit (top & bottom frames & vents) Includes the aluminium flue connection.  
 Ref No: AS1625

1 x TP Includes 1 x Tee piece & 1 x extension  
 Ref No: TP

Extra extensions may be required dependent on the height of refrigerator and vent height.  
 Ref No: TPX



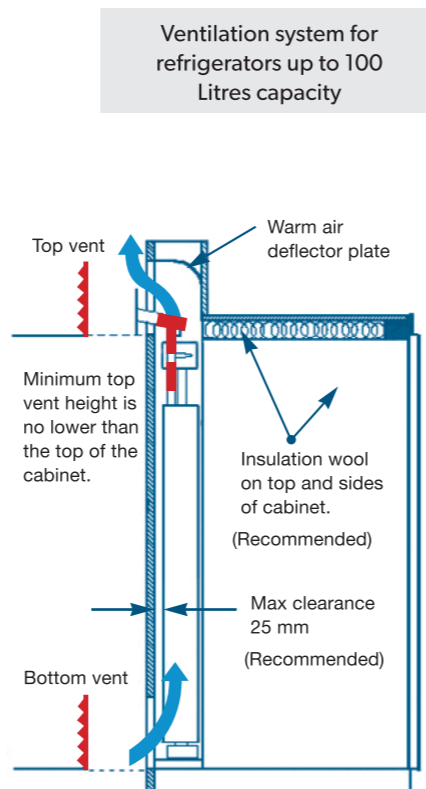
AS1625 vent kit.  
Each vent has 328 cm<sup>2</sup> open area



TP kit



TPX extension  
Note: each TPX adds 43 mm in height



### OPTION TWO

Common motorhome ventilation system.

Ventilation components required are:  
 1 x Motorhome wall vent.  
 Ref No: 3109350.110  
 1 x Motorhome roof base.  
 Ref No: 3311237.000  
 1 x Motorhome roof cap.  
 Ref No: 3311246.000  
 1 x Gas flue kit.  
 Ref No: 3776



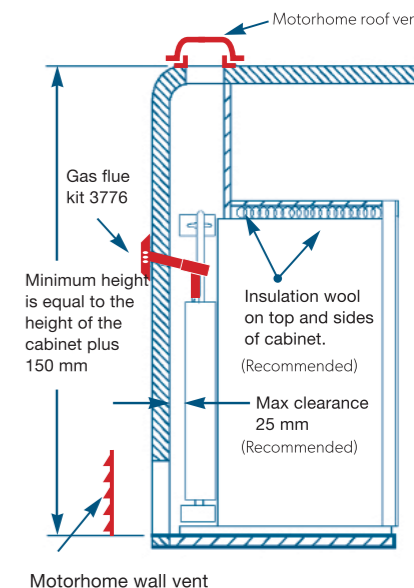
Roof Cap & roof base  
open ventilation area of 730 cm<sup>2</sup>



Gas flue kit



Motor home wall vent.  
Each vent has 450 cm<sup>2</sup> open area.



### OPTION THREE

Common motorhome & caravan ventilation system.

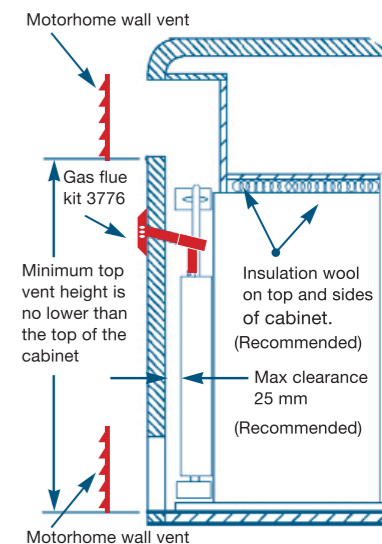
Ventilation components required are:  
 2 x Motorhome wall vents.  
 Ref No: 3109350.110  
 1 x Gas flue kit. Ref No: 3776



Motorhome wall vent. Each vent has 450 cm<sup>2</sup> open area.



Gas flue kit



### OPTION FOUR

Common motorhome & caravan ventilation system.

Ventilation components required are:  
 2 x Vent and frame.  
 Ref No: LS300  
 1 x Gas flue kit. Ref No: 3776



LS300 vent and frame cut out required W490 mm x H249 mm. Each vent has open area of 667 cm<sup>2</sup>



Gas flue kit

