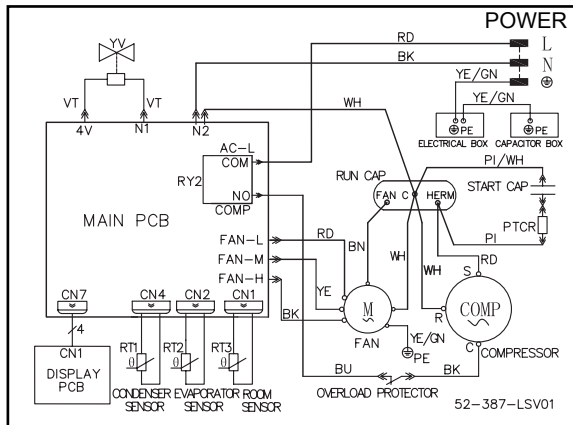
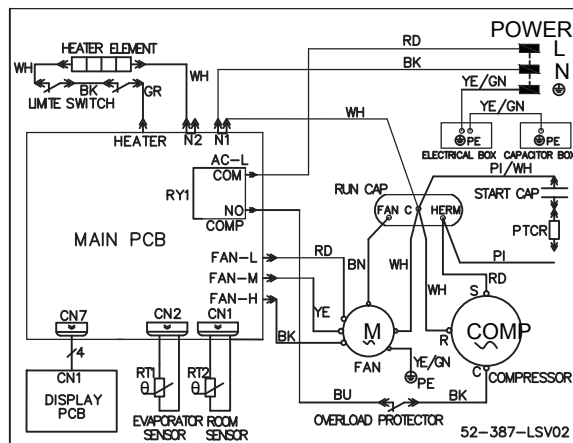


# Wiring Diagrams

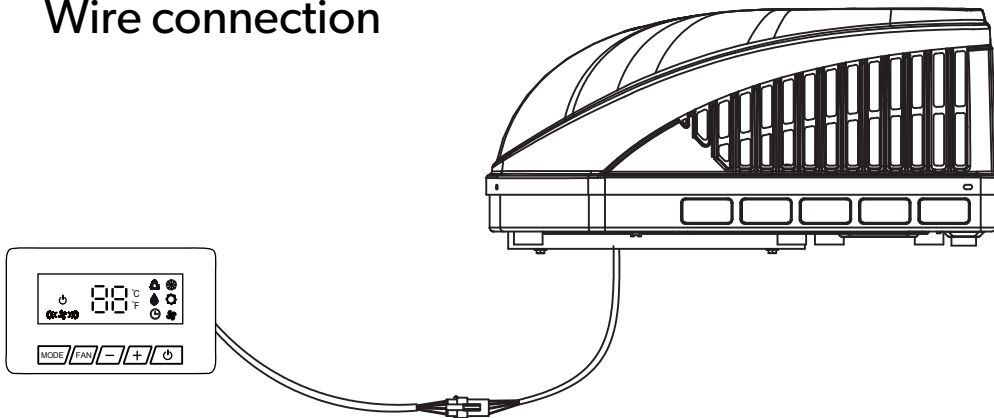
Heat pump  
BR36H70CR



Air conditioner  
BR36C71CR



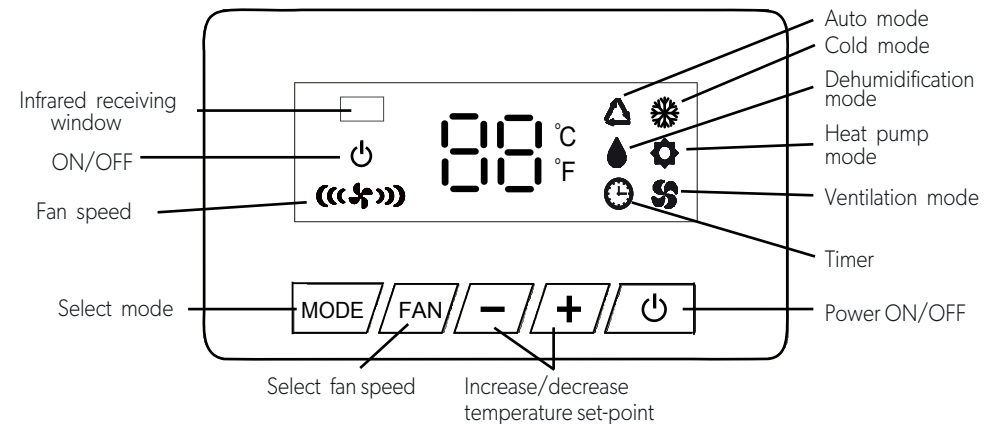
## Wire connection



# Wall Mounted Control User's Guide

The basic steps for operating your Air Conditioner or Heat Pump are described in this User's Guide. For more detailed information on modes of operation and special features refer to the Operating Instructions Manual.

### Quick reference to control buttons



**Notice: The function of timer must use remote controller.  
The remote controller is optional fitment.**

### Contact Details:

**Dometic Australia Pty Ltd**

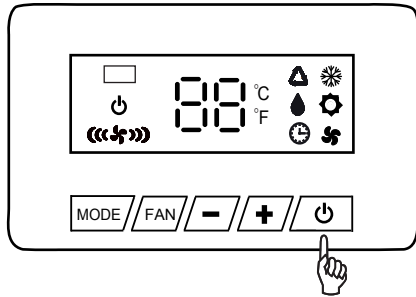
ABN 620 086 366 305  
1 John Duncan Court  
Varsity Lakes, QLD 4227

Tel: 61 75507 6000  
Fax: 61 75507 6001  
Email: sales@dometic.com.au

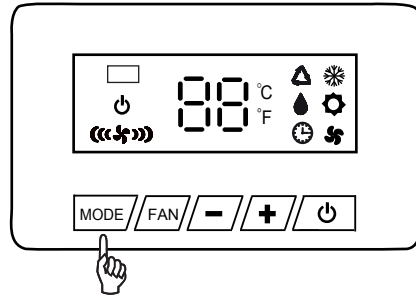
**P/N. 54-AA-MA38702**

MOBICOOL Electronic(Zhuhai)Co.,Ltd  
18, Jinhu Lu, Sanzao, Jinwan Zhuhai, China

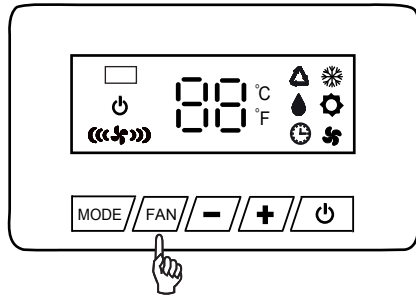
## Operation



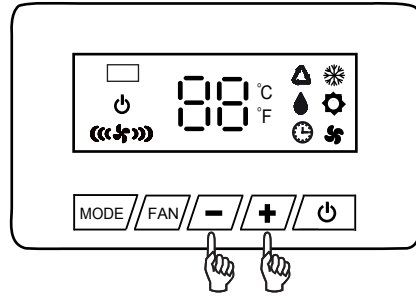
- a. Press "ON/OFF" button switch on or switch off the machine.



- b. Press "MODE" button select auto, cold, dehumidification, heat, and fan mode.



- c. Press "FAN" button adjust the high or middle and low speed of the motor.



- d. Press "+" button increase set temperature point.  
Press "-" button decrease set temperature point.

## FAULT CODE & FUNCTION DESCRIPTIONS

Fault condition	Digital display code	Note
Room temperature sensor fault	E1	Call for service
Evaporator sensor fault	E2	Call for service
Communication fault	E3	Call for service
Condenser sensor fault	E4	Call for service
Defrosting instructions	H1	Indicates defrosting in progress

### A. Preventing cold air function:

- When heat mode is selected, the internal fan will not start until the air within the air conditioner is heated. This is to prevent cold air blowing into the living space during start up.

### B. Blowing surplus heat function:

- In heating mode, the fan will continue to run for approximately 60 seconds after the OFF button is pressed.

### C. Defrosting function:

- At low ambient temperatures approximately  $-5^{\circ}\text{C}$  the heating mode will periodically enter a defrosting mode.

### D. Overheat protection

- In heating mode, detection of the evaporator temperature IPT, when  $\text{IPT} \geq 60^{\circ}\text{C}$ , compressor is not working. when  $\text{IPT} \leq 48^{\circ}\text{C}$ , compressor will be continued working. when  $48^{\circ}\text{C} < \text{IPT} \leq 55^{\circ}\text{C}$ . The compressor will keep the original state.

#### Note

- IPT: evaporator sensor temperature.
- OPT: condenser sensor temperature.

## Installation Instructions

### Step One :

Remove the cover of wall mounted control box.

### Step Two :

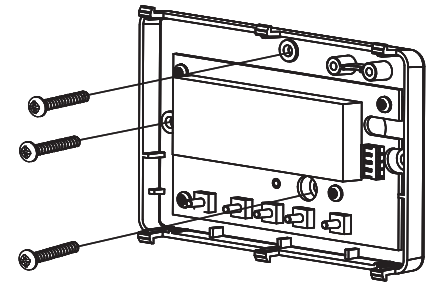
Remove the button from wall mounted control box.

### Step Three :

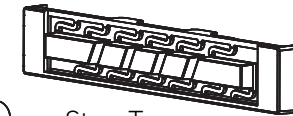
According to the drawing install three screws one by one.

### Step Four :

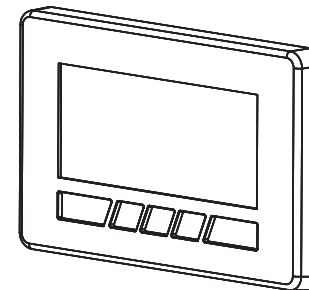
Finally install the button and cover again.



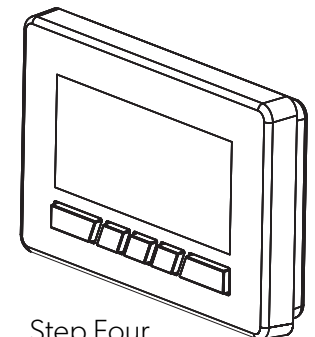
Step Three



Step Two



Step One



Step Four